

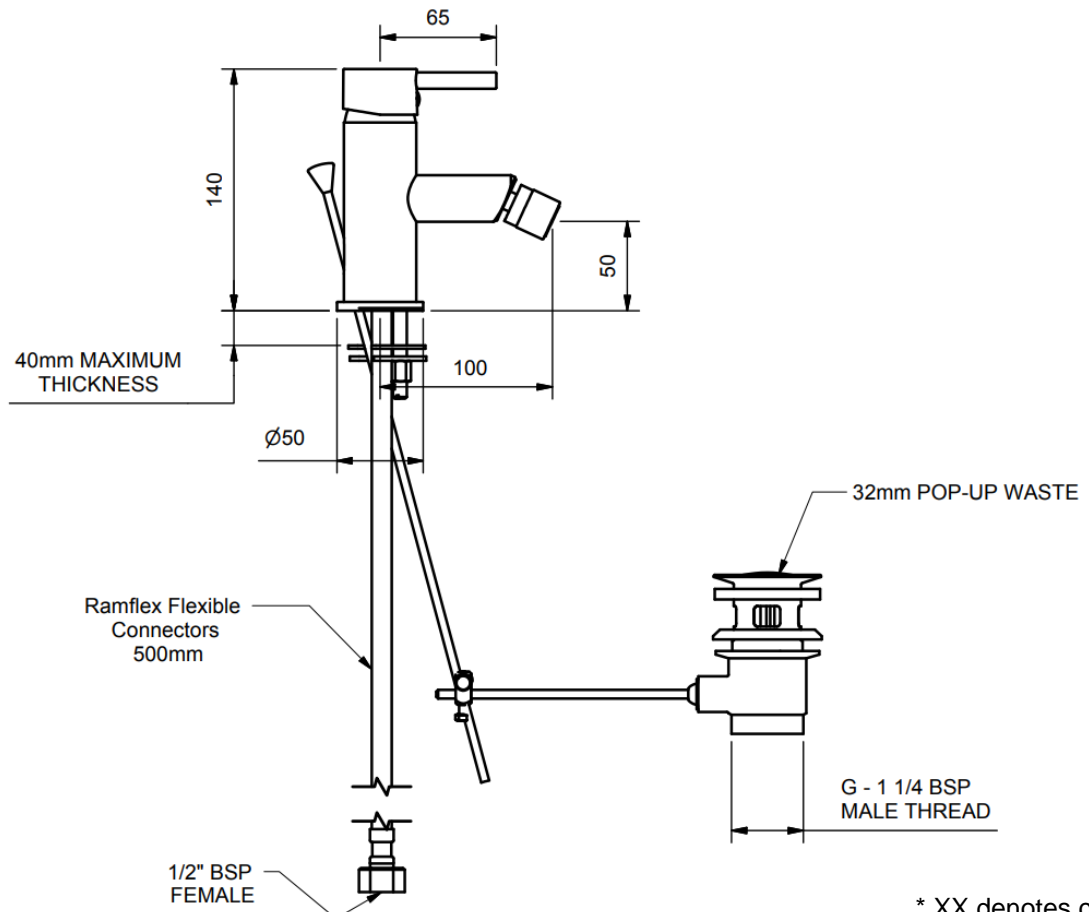
MO.BM.XX\*

Bidet Mixer



## Features

1. Maximum Static Inlet Water Pressure: 1000kpa
2. Maximum Water Temperature: 80°C
3. Requires a 32 - 35mm Hole
4. Designed and Manufactured in Australia



\* XX denotes colour code

**MACALLAN**

As part of Macallans commitment to quality products, Ramtaps reserves the right to alter and/or improve the design or specification of its products without notice

MACALLAN PTY LTD  
Suite 3, Level 6, 70 Pitt Street,  
Sydney, NSW, 2000

[www.macallantaps.com](http://www.macallantaps.com)

All dimensions are in mm. This drawing remains the property of Macallan and should not be copied or distributed without Macallans consent

Title

**Bidet Mixer**

Code

MO.BM.XX

Revision

01

Issue Date

28-07-2025