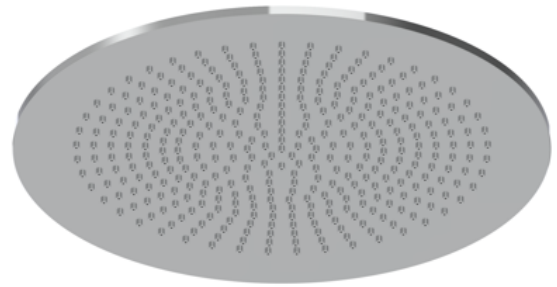


MACALLAN

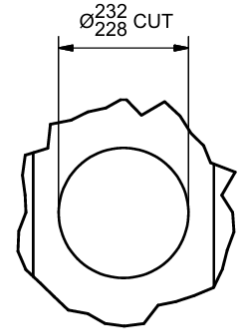
MO.FMSR.XX*

250mm Flush Mounted Shower Rose

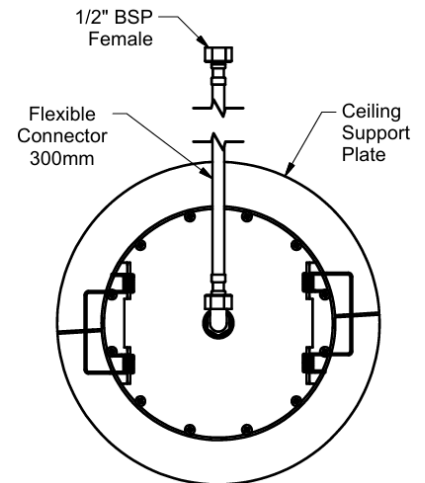
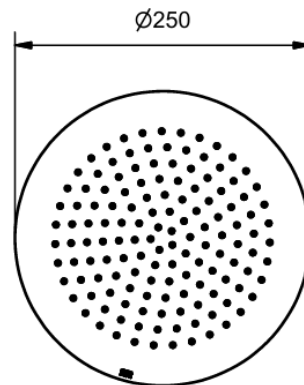
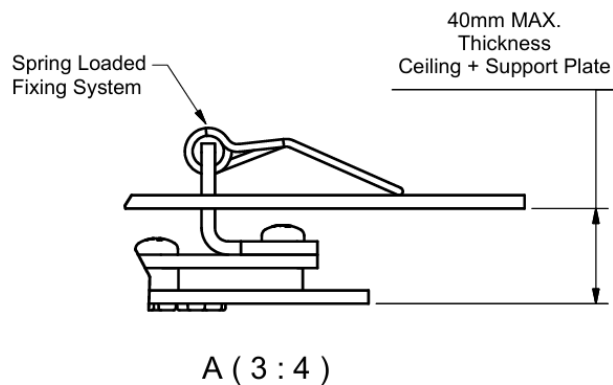
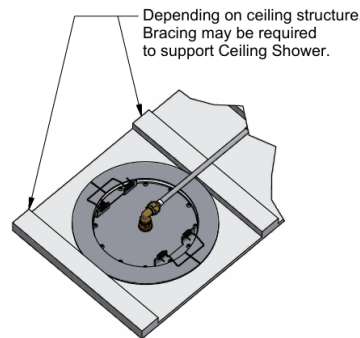
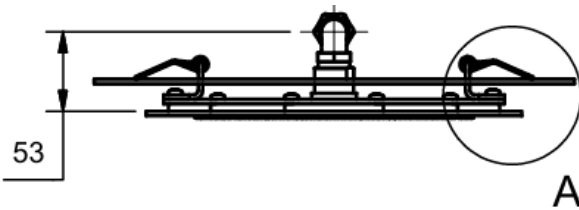


Features

1. Maximum Hydrostatic Pressure: 1000kpa
2. Minimum Hydrostatic Pressure: 150kpa
3. Maximum Water Temperature: 80°C
4. Brass Construction.



TOP VIEW FROM INSIDE THE ROOF CAVITY CUT-OUT INFORMATION



* XX denotes colour code

MACALLAN

As part of Macallans commitment to quality products, Ramtaps reserves the right to alter and/or improve the design or specification of its products without notice

MACALLAN PTY LTD
Suite 3, Level 6, 70 Pitt Street,
Sydney, NSW, 2000

www.macallantaps.com

All dimensions are in mm. This drawing remains the property of Macallan and should not be copied or distributed without Macallans consent

Title
250mm Flush Mounted Shower Rose

Code
MO.FMSR.XX

Revision
01

Issue Date
28-07-2025