

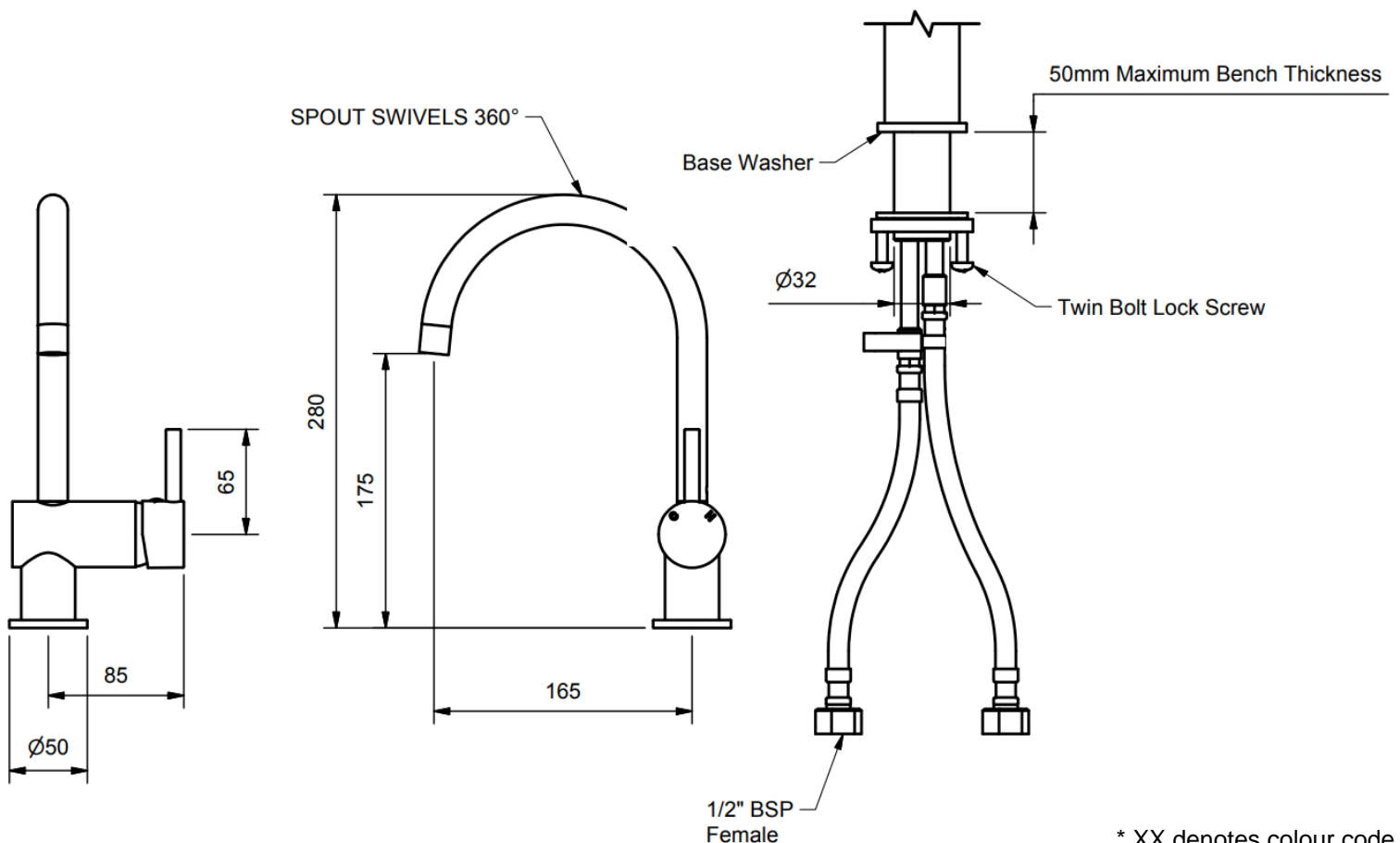
MO.HGSM.XX*

Horizontal Sink Mixer - Swivel Gooseneck Spout



Features

1. Maximum Static Inlet Water Pressure: 1000kpa
2. Maximum Water Temperature: 80°C
3. Requires a 32 - 35mm hole
4. Designed and Manufactured in Australia



* XX denotes colour code

MACALLAN

As part of Macallans commitment to quality products, Ramtaps reserves the right to alter and/or improve the design or specification of its products without notice

MACALLAN PTY LTD
Suite 3, Level 6, 70 Pitt Street,
Sydney, NSW, 2000

www.macallantaps.com

All dimensions are in mm. This drawing remains the property of Macallan and should not be copied or distributed without Macallans consent

Title
Horizontal Sink Mixer - Swivel
Gooseneck Spout

Code
MO.HGSM.XX

Revision
01

Issue Date
28-07-2025